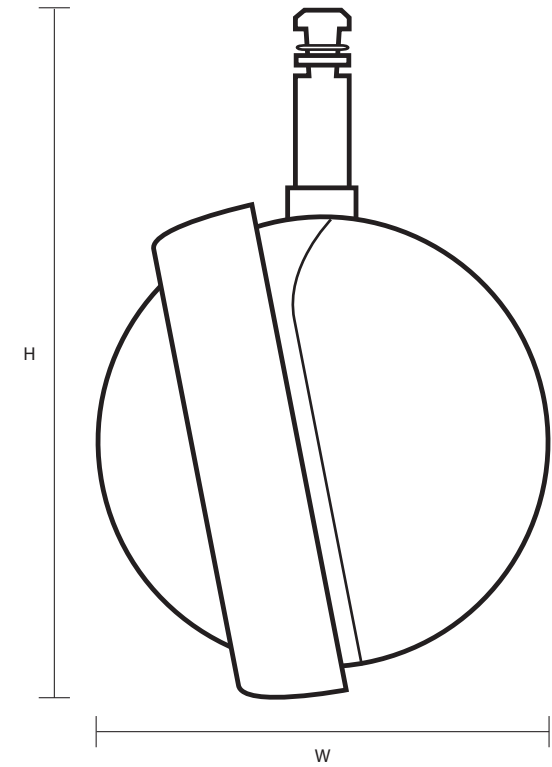
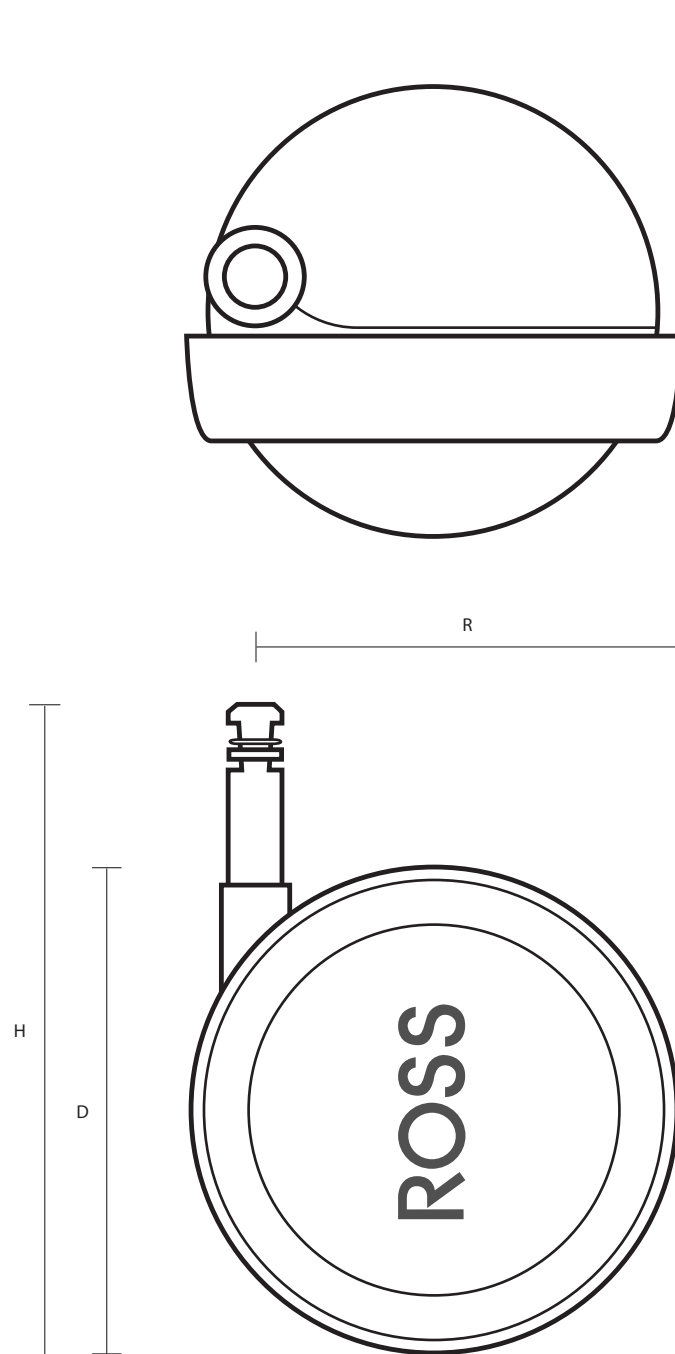


SHEP No. 46 (50mm Polyurethane Tyre Finish Shepherd Ball Castor With Peg & Socket Fitting)



Castor Dimensions - Key		
D	Wheel Diameter	50mm
L	Plate Dimension Length (mm)	N/A
L1	Plate Dimension Width (mm)	N/A
C	Plate Hole Centers length (mm)	N/A
C1	Plate Hole Centers width (mm)	N/A
D1	Plate Hole Diameter (mm)	N/A
H	Total Castor Height	60mm
W	Tread Width (mm)	N/A
R	Swivel Radius (mm)	N/A